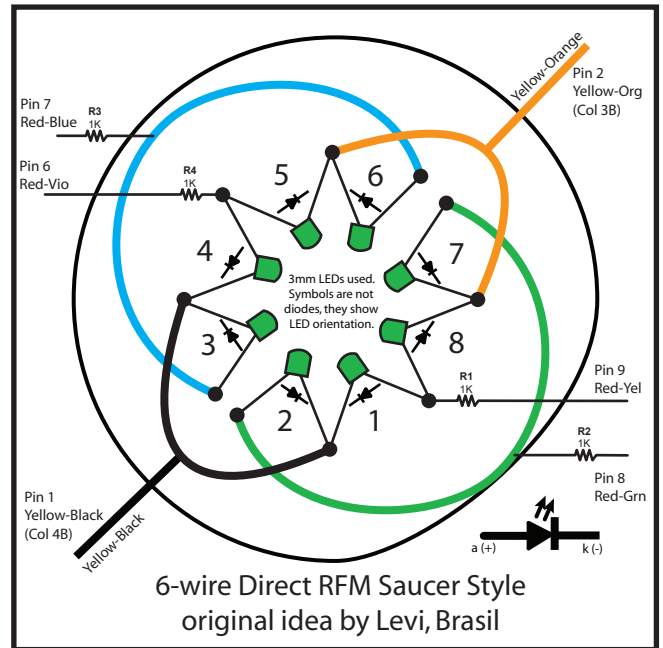
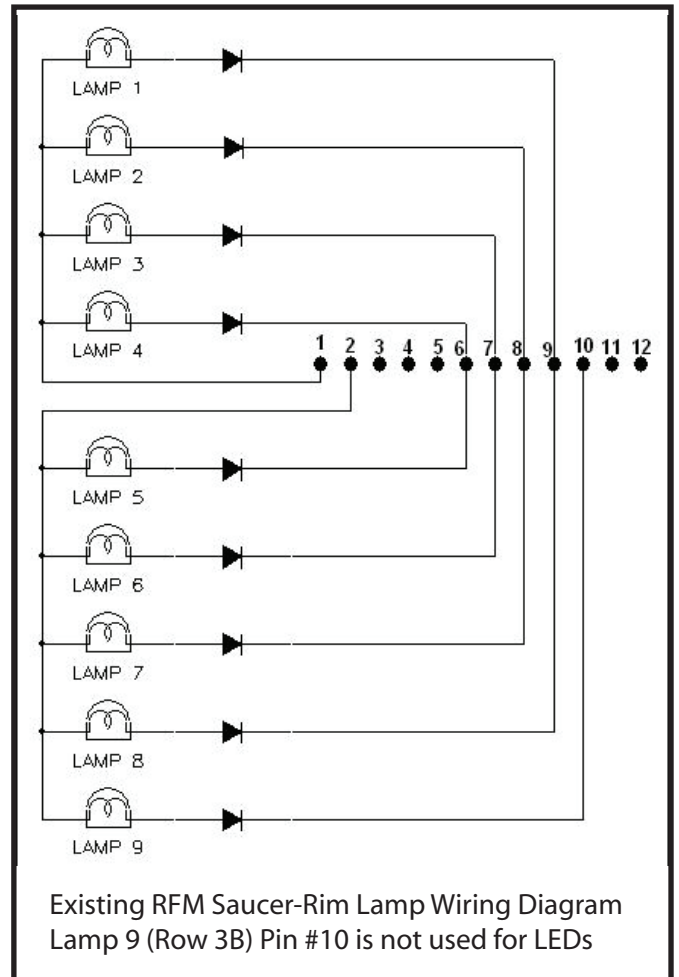


6-wire Bill Ung Saucer Style



6-wire Direct RFM Saucer Style
original idea by Levi, Brasil



Existing RFM Saucer-Rim Lamp Wiring Diagram
Lamp 9 (Row 3B) Pin #10 is not used for LEDs

RJ45 pin	Color	PCB pin	Color	Function	LEDs
1	Brown	1	Yel / Blk	Col. 4B	1-4 anode
2	Brn / Wht	2	Yel / Org	Col. 3B	5-8 anode
3	Not Used	X	Not Used	Not Used	
4	Blu / Wht	9	Red / Yel	Row 4B	1,8 cathode
5	Not Used	5	* Key		
6	Grn / Wht	6	Red / Vio	Row 7B	4,5 cathode
7	Orange	7	Red / Blu	Row 6B	3,6 cathode
8	Org / Wht	8	Red / Grn	Row 5B	2,7 cathode