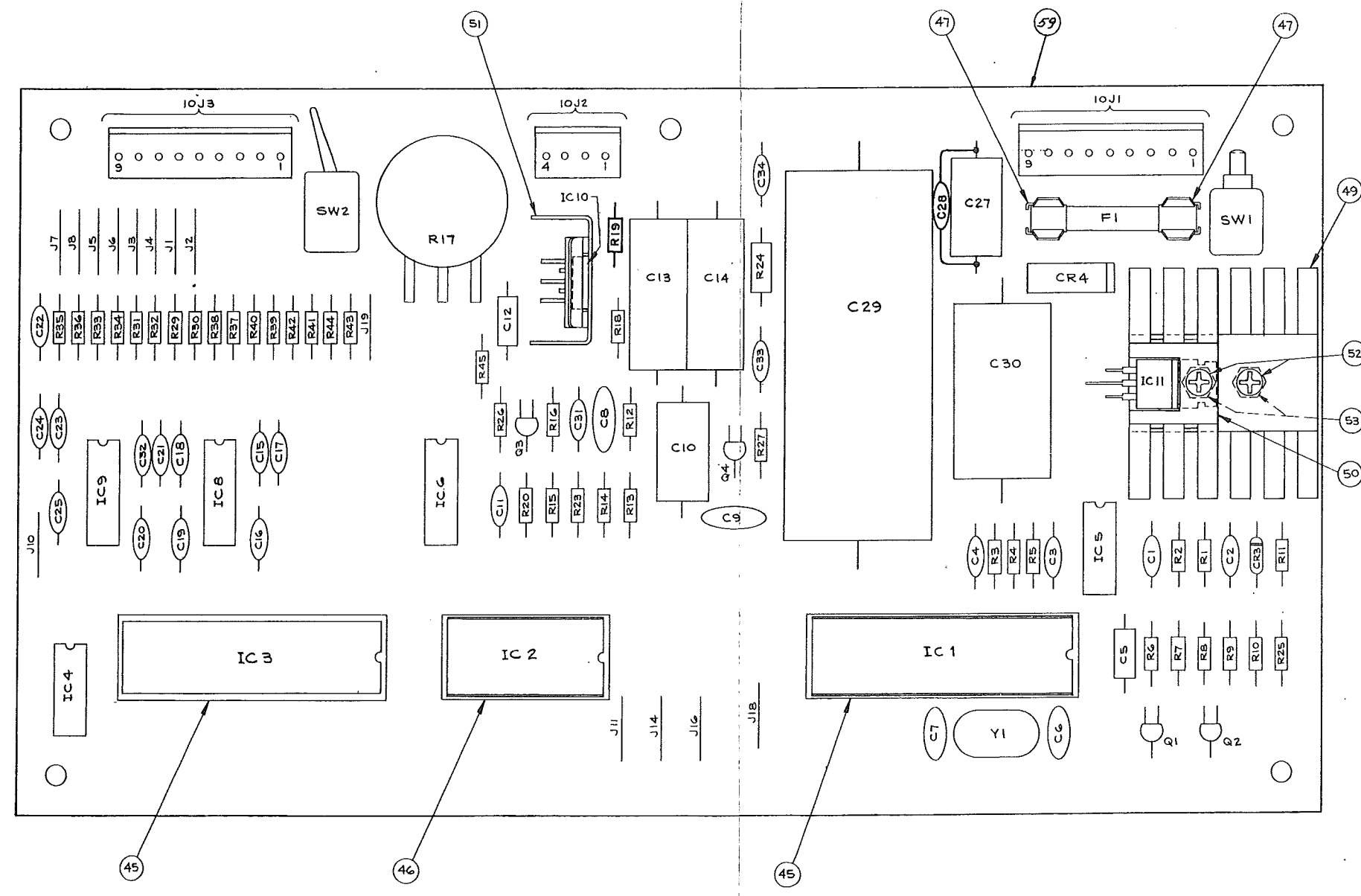


D-8066

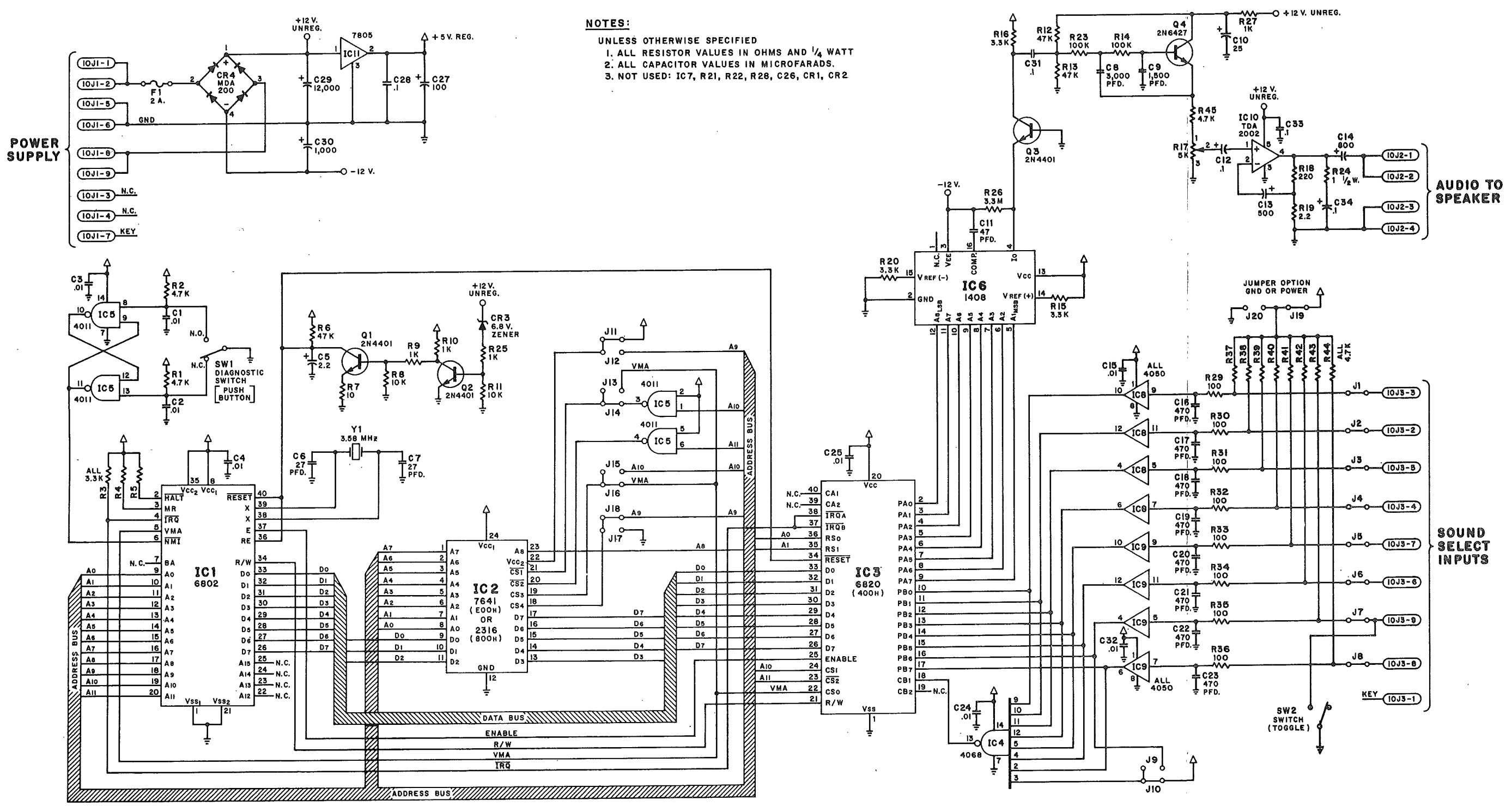
ITEM NO.	PART NO.	PART DESIGNATION	DESCRIPTION	REQ'D NO.
53			6-32 X HEX. NUT	2
54	5A-8826 OR 5A-9170	R17	5K OHM LOG TAPER POTENTIOMETER	1
55	5A-9020	Y1	3.58 MHZ. CRYSTAL	1
56		J1 THRU J8, J10, J11, J14, J16, J18, J19	WIRE JUMPER 22 GAUGE WIRE WITH INSULATION	14
57	5A-9150	IC1	MC6802 MICROPROCESSOR	1
58	5A-9015	IC2	7641 512 X8 FEPROM	1
59	1C-2001-137-2		SOUND PC BOARD	1

BILL OF MATERIAL				
ITEM NO.	PART NO.	PART DESIGNATION	DESCRIPTION	REQ'D NO.
1	5A-9024	SW1	MOMENTARY SW. SPDT	1
2	5A-9171	SW2	TOGGLE SWITCH SPDT	1
3	5A-8972	IC3	MC6820 PIA	1
4	5A-9154	IC4	4068 8 INPUT NAND GATE	1
5	5A-9155	IC5	4011 QUAD 2 INR NAND GATE	1
6	5A-9152	IC6	MC1408 D/A CONVERTER	1
7				1
8	5A-9153	IC8, IC9	4050 BUFFER	2
9	5A-9156	IC10	TDA2002V AUDIO AMPLIFIER	1
10	5A-9157	IC11	7805 5 VOLT REG. W/TO 220 CASE	1
11	5C-8998	Q1, Q2, Q3	2N4401 NPN TRANSISTOR	3
12	5A-8976	Q4	2N6427 NPN TRANSISTOR	1
13				1
14	5A-9018	CR3	1N5996 6.8V ZENER DIODE	1
15	5A-9158	CR4	MDA 200 / 3N253 BRIDGE RECTIFIER	1
16	5B-8991	R1, R2, R37 THRU R45	4.7K OHM RESISTOR 10% 1/4 WATT	11
17	5B-8983	R3, R4, R5, R15, R16, R20	3.3K OHM RESISTOR 10% 1/4 WATT	6
18	5A-8984	R9, R10, R25, R27	1K OHM RESISTOR 10% 1/4 WATT	4
19	5B-9039	R7	10 OHM RESISTOR 10% 1/4 WATT	1
20	5B-8817	R8, R11	10K OHM RESISTOR 10% 1/4 WATT	2
21	5B-9035	R6, R12, R13	47K OHM RESISTOR 10% 1/4 WATT	3
22	5A-9160	R18	220 OHM RESISTOR 10% 1/4 WATT	1
23	5A-9161	R19	2.2 OHM RESISTOR 10% 1/4 WATT	1
24	5A-9162	R14, R23	100K OHM RESISTOR 10% 1/4 WATT	2
25	5A-9179	R26	3.3M OHM RESISTOR 10% 1/4 WATT	1
26	5B-9036	R29 THRU R36	100 OHM RESISTOR 10% 1/4 WATT	8
27	5A-9181	R24	1 OHM RESISTOR 10% 1/2 WATT	1
28	5A-9046	C29	12,000 MFD. ELECTROLYTIC CAPACITOR (16 V.)	1
29	5A-8986	C27	100 MFD. ELECTROLYTIC CAPACITOR (10 V.)	1
30	5A-8893	C30	1,000 MFD. ELECTROLYTIC CAPACITOR (25 V.)	1
31	5A-9164 5A-9164-1	C13	500 MFD. (25 V) OR 470 MFD. (15 V) ELECTROLYTIC CAPACITOR	1
32	5A-9165 5A-9165-1	C14	800 MFD. (16 V) OR 1000 MFD. (18 V) ELECTROLYTIC CAPACITOR	1
33	5A-9168 5A-9168-1	C10	25 MFD. (20 V) OR 33 MFD. (16 V) ELECTROLYTIC CAPACITOR	1
34	5A-9031	C12	1 MFD. TANTALUM CAPACITOR (25 V.)	1
35	5A-9163	C5	2.2 MFD. TANTALUM CAPACITOR (15 V.)	1
36	5A-8980	C1 THRU C4, C15, C24, C25, C32	.01 MFD. CERAMIC CAPACITOR	8
37	5A-8996	C28, C31, C33, C34	1 MFD. CERAMIC CAPACITOR	4
38	5A-9169	C6, C7	27 PFD. CERAMIC DISC CAPACITOR	2
39	5A-9065	C16 THRU C23	470 PFD. CERAMIC DISC CAPACITOR	8
40	5A-9166	C9	.0015 MFD. CERAMIC DISC CAPACITOR	1
41	5A-9167	C8	.003 MFD. CERAMIC DISC CAPACITOR	1
42	5A-9180	C11	47 PFD. CERAMIC DISC CAPACITOR	1
43	5A-9027	IOJ1, IOJ3	9 PIN MALE CONNECTOR	2
44	5A-9028	IOJ2	4 PIN MALE CONNECTOR	1
45	5A-8985		40 PIN SOCKET	2
46	5A-9004		24 PIN SOCKET	1
47	5A-9178		FUSE HOLDER	2
48	5A-6314	F1	4 AMP. SLOW BLOW FUSE	1
49	5A-9172		HEAT SINK THERMALLOY #6072 B	1
50	5A-9173		HEAT SINK THERMALLOY #6071 B	1
51	5A-9174		HEAT SINK THERMALLOY #6038 B	1
52			6-32 X 3/8" BINDER HEAD SCREW	2



REVISION LETTER	REVISION	BY
A	IN ITEM #7 DELETED IC7 (PT NO. 5A-8974); ITEM #36 DELETED C24; ITEM #21, DELETED R19; ITEM #26, DELETED R21 & R22 & ITEM #13 DELETED C1 & C2 (PT NO. 5A-9019)	R. G. A. 4-19-78

TOLERANCES UNLESS OTHERWISE SPECIFIED		WILLIAMS ELECTRONIC MFG. CORP. CHICAGO 18, ILL. CORNELIA 7-2840		
FRACTIONS	± 1/64	NAME	SOUND BOARD ASSEMBLY	
DECIMALS	± .002	MATERIAL	HEAT TREATMENT	FINISH
HOLES	± .002	DATE	4-8-78	SCALE 2:1
ANGULAR	± 1/2°	APP'D.		D-8066



NOTES:
 UNLESS OTHERWISE SPECIFIED
 1. ALL RESISTOR VALUES IN OHMS AND 1/4 WATT
 2. ALL CAPACITOR VALUES IN MICROFARADS.
 3. NOT USED: IC7, R21, R22, R28, C26, CR1, CR2

WILLIAMS ELECTRONICS, INC.				
SUBSIDIARY OF XCOR CORPORATION				
3401 N. CALIFORNIA CHICAGO, ILL. 60618 CORNELIA 7-2240				
PART NAME				
SCHEMATIC, SOUND BOARD				
DWN.	DATE	APP'D.	SCALE	PART NO.
R. Goy	4-20-78		2=1	C-8066