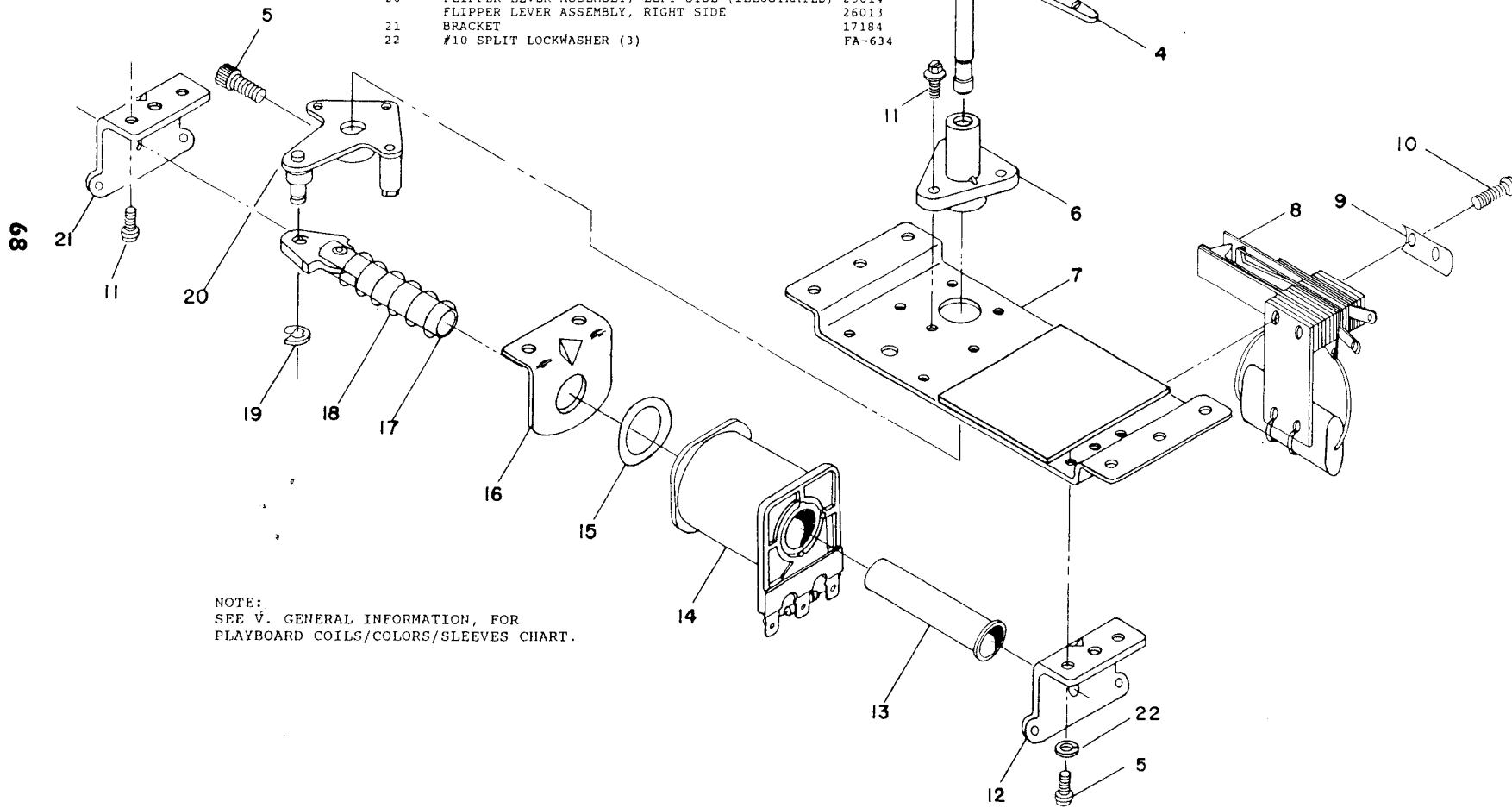


ITEM	DESCRIPTION	PART NO.
	FLIPPER ASSEMBLY, LEFT SIDE (ILLUSTRATED)	MA-1790C
	FLIPPER ASSEMBLY, RIGHT SIDE	MA-1791
1	8-32 X 1/2" OVAL HEAD MS	FA-77
2	FLAT RUBBER RING, RED OR BLACK	13151 OR 28546
3	FLIPPER	25972Y
4	FLIPPER SHAFT ASSEMBLY	26497
5	10-32 X 3/8" UNBRAKO (3)	FA-90
6	FLIPPER SHAFT BEARING	25961
7	FRAME, LEFT SIDE (ILLUSTRATED)	29158
	FRAME, RIGHT SIDE	29157
8	SWITCH ASSEMBLY, LEFT SIDE (ILLUSTRATED)	26439
	SWITCH ASSEMBLY, RIGHT SIDE	26438
	CAPACITOR, 2.2UF, 200V	XO-995
9	SWITCH COVER	465
10	5-40 X 3/4" RHMS SEMS (2)	FA-3
11	8-32 X 1/8" HWHMS SEMS (7)	FA-69
12	STOP STUD AND BRACKET ASSEMBLY	29154
13	SLIP-IN CORE	5065
14	COIL WITH DIODE (SEE SCHEMATIC DIAGRAM)	-----
15	SPRING WASHER	FA-605
16	COIL MOUNTING BRACKET	16356
17	LINK AND PLUNGER ASSEMBLY	25956
18	FLIPPER SPRING	3232
19	RETAINING RING	FA-682
20	FLIPPER LEVER ASSEMBLY, LEFT SIDE (ILLUSTRATED)	26014
	FLIPPER LEVER ASSEMBLY, RIGHT SIDE	26013
21	BRACKET	17184
22	#10 SPLIT LOCKWASHER (3)	FA-634

REPAIR NOTE:
BEFORE INSERTING ITEM 1,
PLACE ONE DROP OF SAF-T-LOK[®]
T70 THREAD LOCKING COMPOUND
INTO THE THREADED HOLE OF ITEM 4.

NOTE:
ITEMS 1 THRU 4 ARE NOT PART
OF THE FLIPPER ASSEMBLY.



NOTE:
SEE V. GENERAL INFORMATION, FOR
PLAYBOARD COILS/COLORS/SLEEVES CHART.

VII. PARTS INFORMATION FLIPPER PARTS