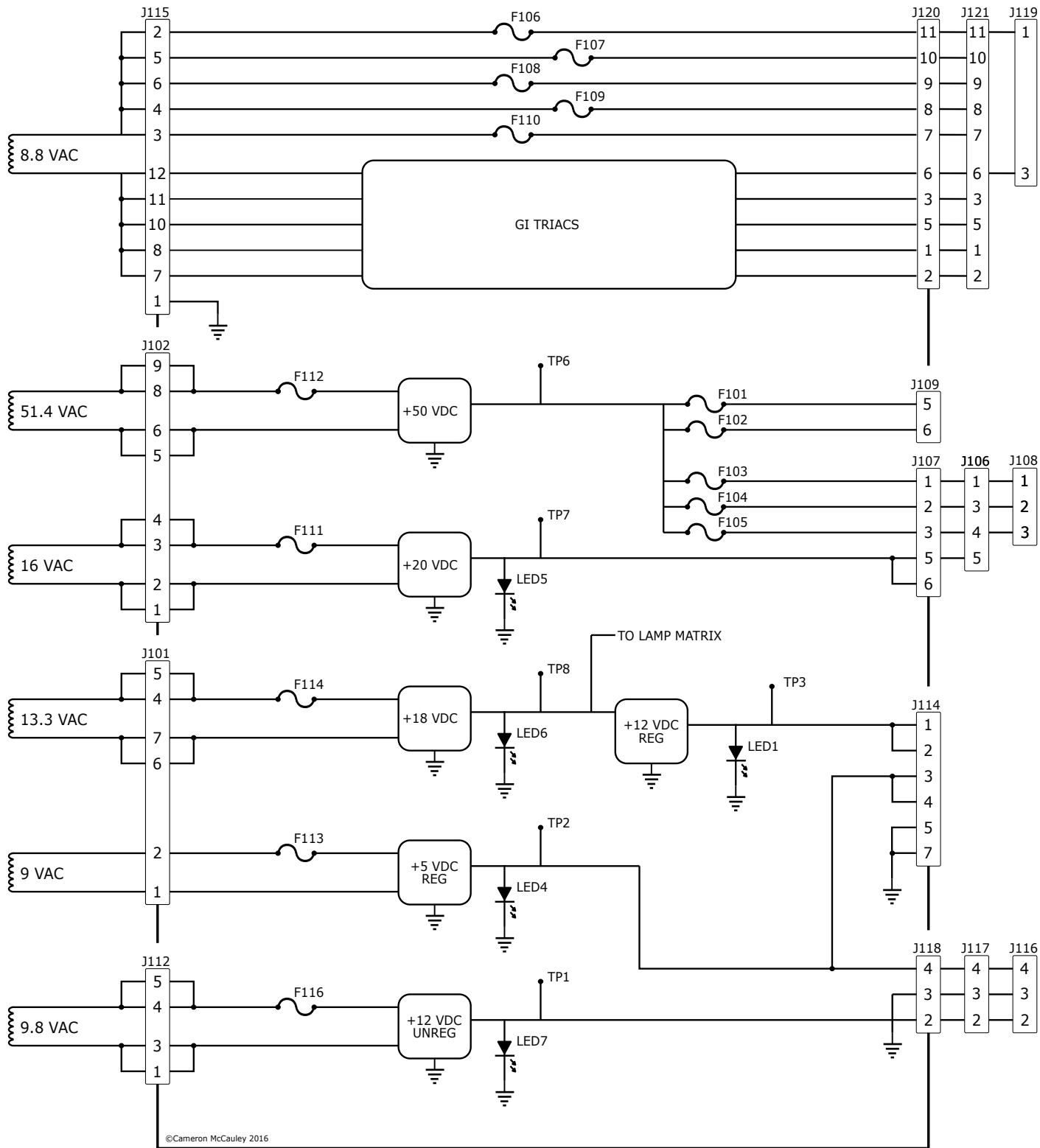


# WMS WPC-89 POWER DRIVER BOARD



Williams WPC-89 driver board primary power connections and test points