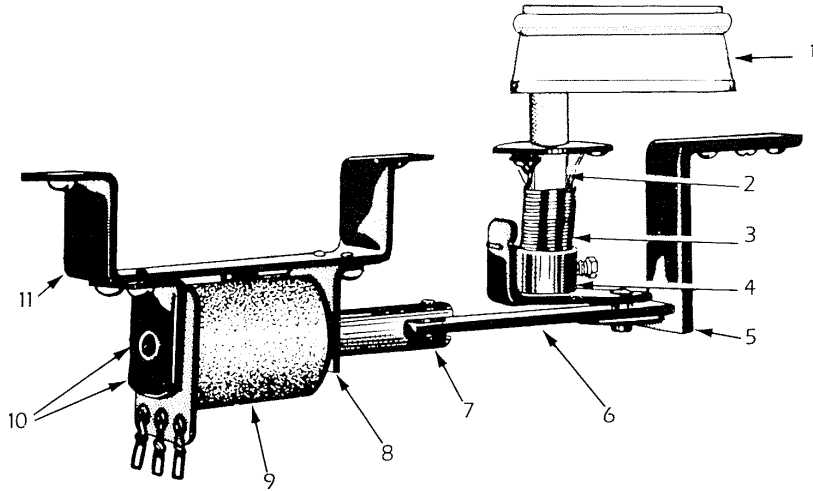
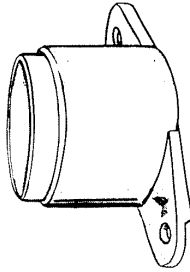


FLIPPER PARTS

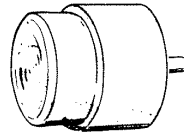


ITEM	DESCRIPTION	PART NO.
1.	Flipper	C-11241
	Rubber Ring	A-13149
2.	Bushing	A-2408
3.	Spring Left	A-3328
	Spring Right	A-3329
4.	Flipper Lever Arm Left	A-12051
	Flipper Lever Arm Right	A-12052
5.	Bracket	A-5024
6.	Flipper Link	A-12047
7.	Plunger	A-272
8.	Bracket	A-5147
9.	Coil	A-17875
	Core	A-5064
10.	Bracket and Stop	A-18265
11.	Bracket	A-5148

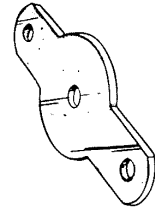
BUSHING
C-13900



BUTTON
SPECIFY COLOR
B-16680



BACKING PLATE
A-13898



BUSHING
(2 BUTTON)
B-21018
(NOT SHOWN)

BACKING PLATE
(2 BUTTON)
A-21017
(NOT SHOWN)

FLIPPER BUTTON SWITCH
B-17838

NOTE:
BEFORE INSTALLATION,
BEND THIS BLADE 6°, (1/4").

